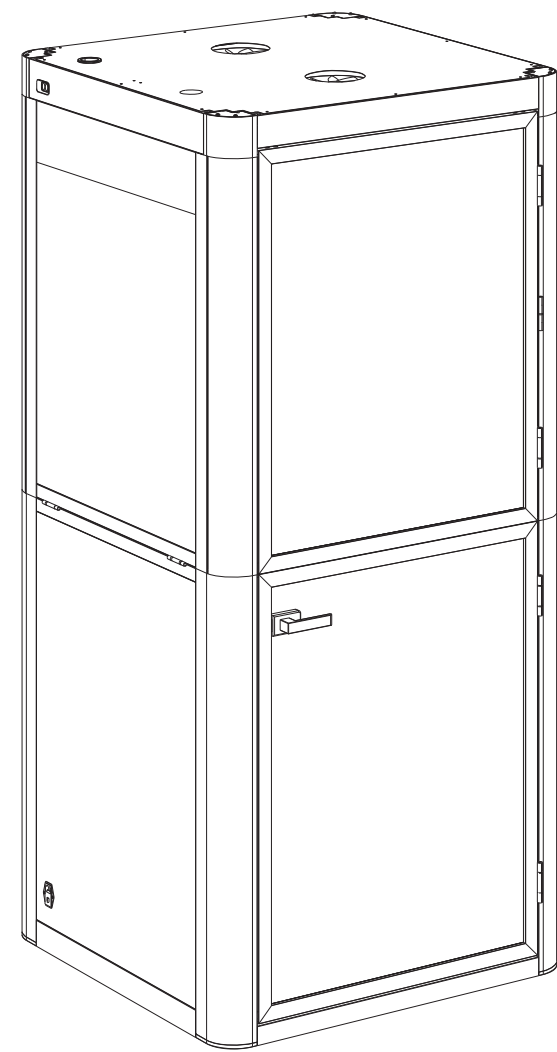


# euroseats

## POD.001 User Manual



< For reference only, actual product may vary. Company has final interpretation rights.>  
Before installing and using the furniture,  
please read the user manual carefully and keep it for future reference!

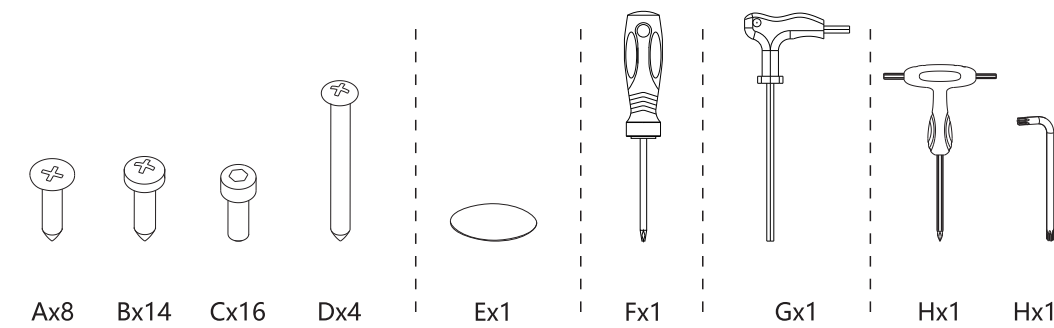
### Technical Specifications

Product Dimensions	Exterior:1020x1020x2260mm Interior:890x930x2050mm		
Max. Load Capacity of Product	130KG	Max. Load Capacity of Tabletop	25KG
Sensor Device	Human Sensing Central Lighting System		
Ventilation System	Fresh Air Ventilation System		
Soundproofing Effect	Soundproofing Volume 25dB±5dB		

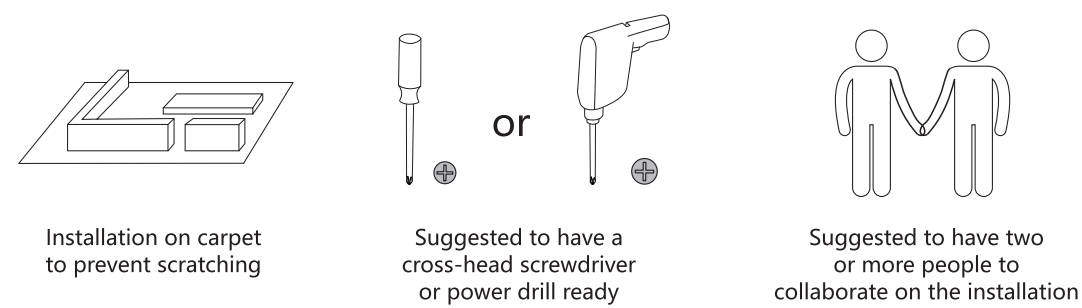
### Product List

### Accessory Pack List

Note: The line drawings below are for reference only and may differ from the actual product in some cases. Please refer to the actual product for accuracy. If you find any missing tools or encounter installation issues, please contact customer service.



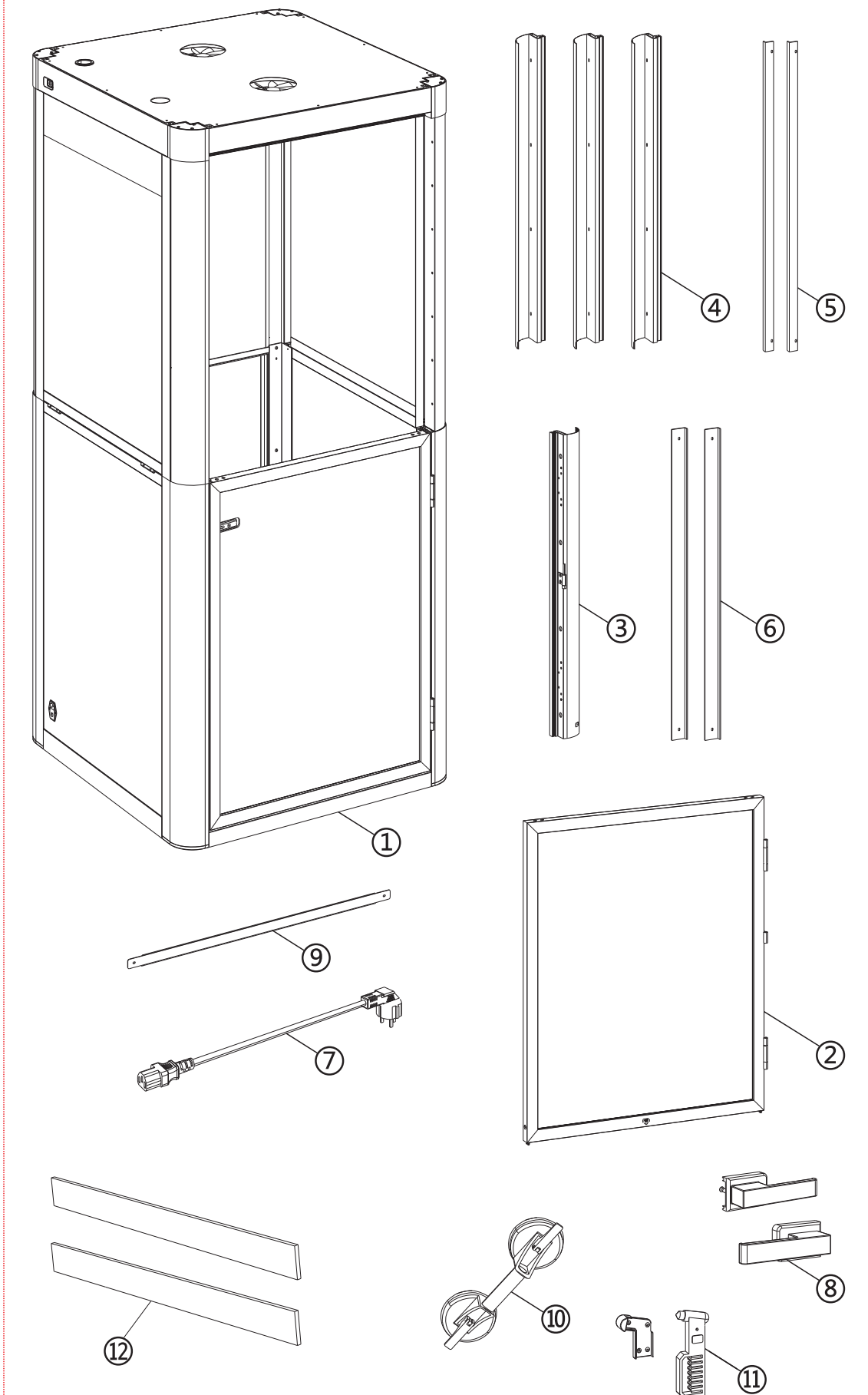
### Preparation before installation



### Parts List

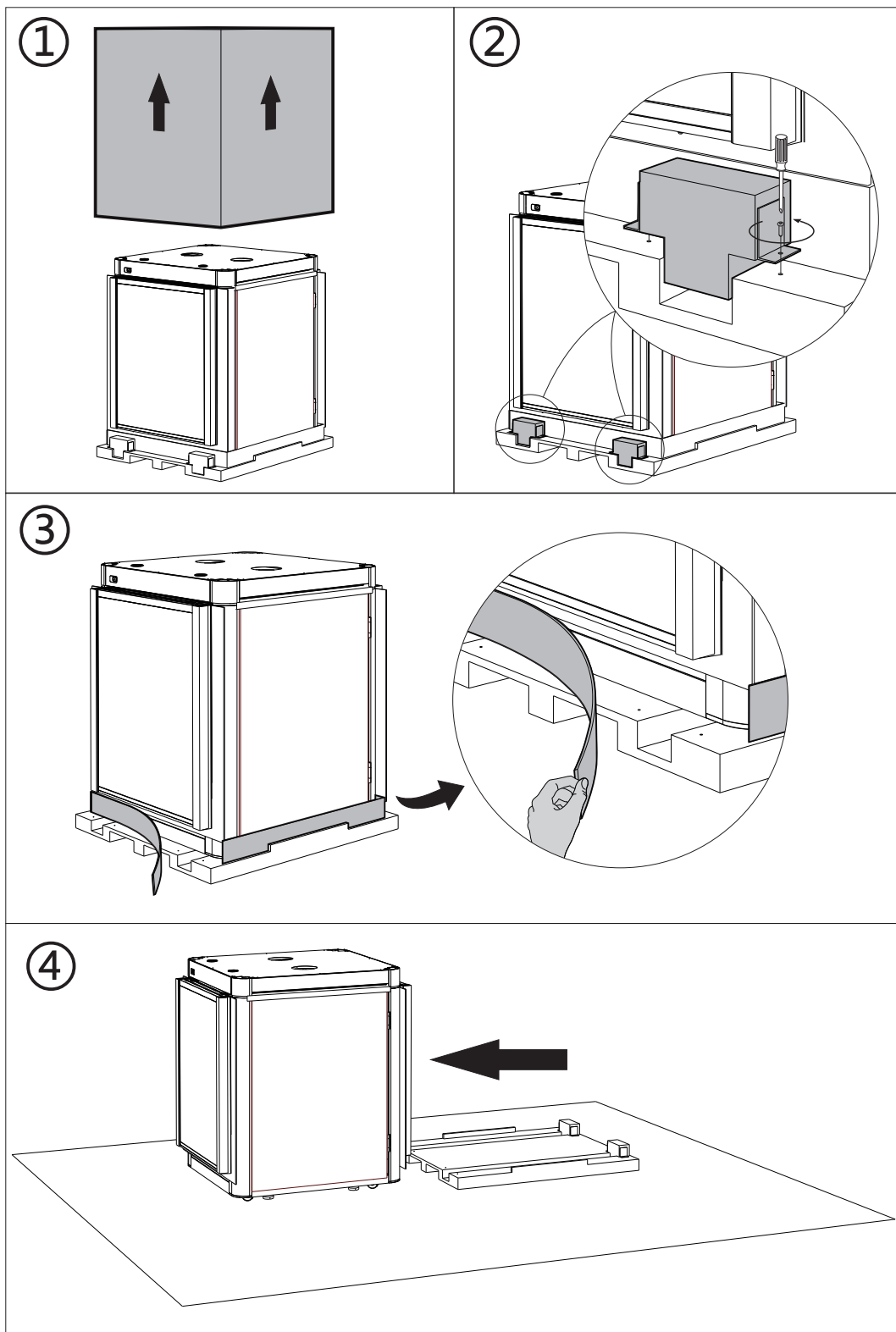
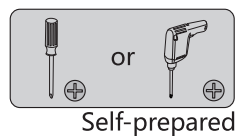
No.	Part	No.	Part
①	Main body of the frame x1	②	Upper glass door x1
③	Hinge decorative cover x1 (Label Number 1)	④	Hinge decorative cover x3 (Label Number 2, 3, 4)
⑤	Front door edge trim x2 (Label Number 1, 2)	⑥	Rear glass edge trim x2 (Label Number 3, 4)
⑦	Product power cord x1	⑧	Handle x1
⑨	Glass support rod x1	⑩	Suction cup x2
⑪	Safety hammer x1	⑫	Cross-section x2

### Installation diagram

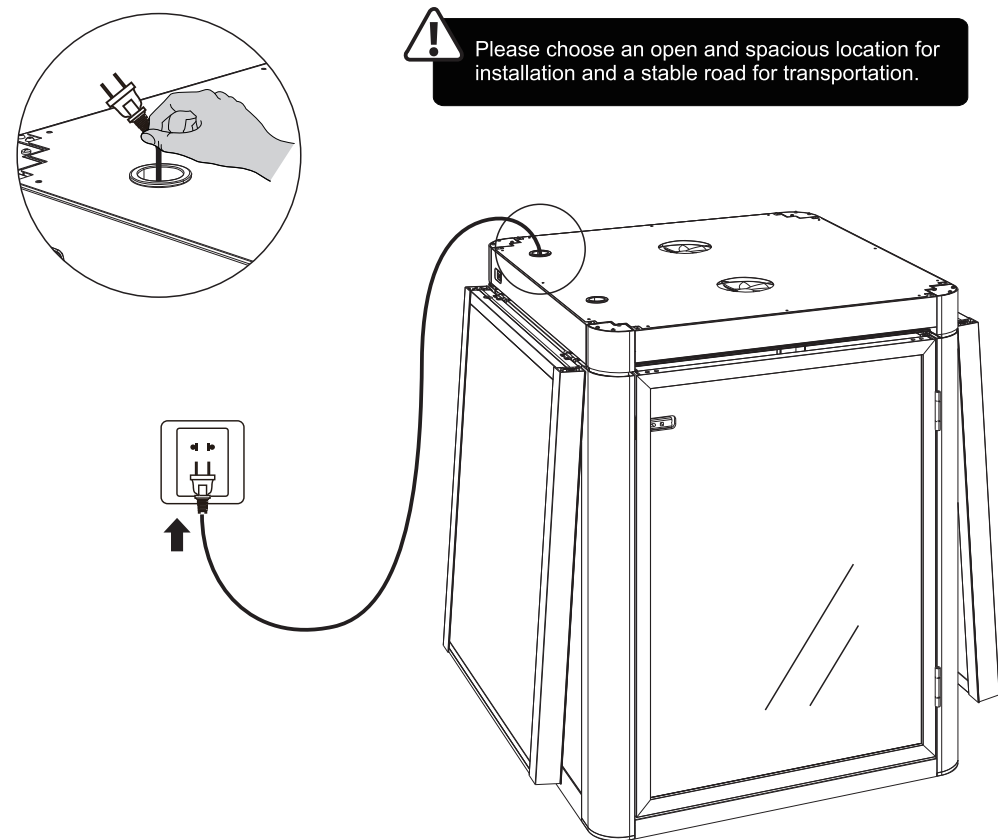


## Installation Steps

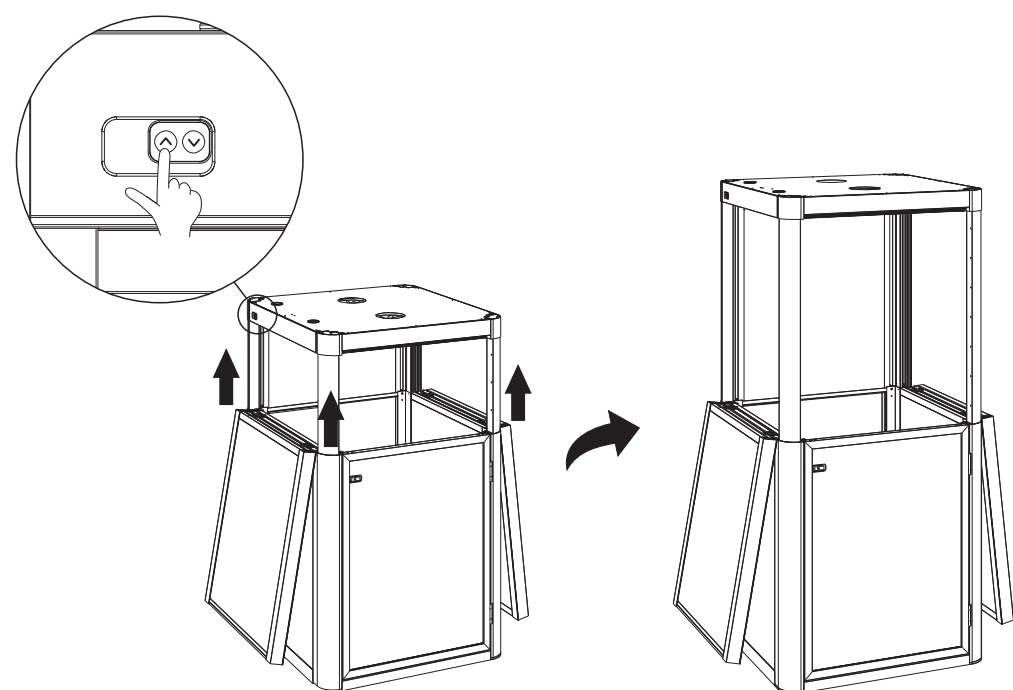
### STEP1 Open the box



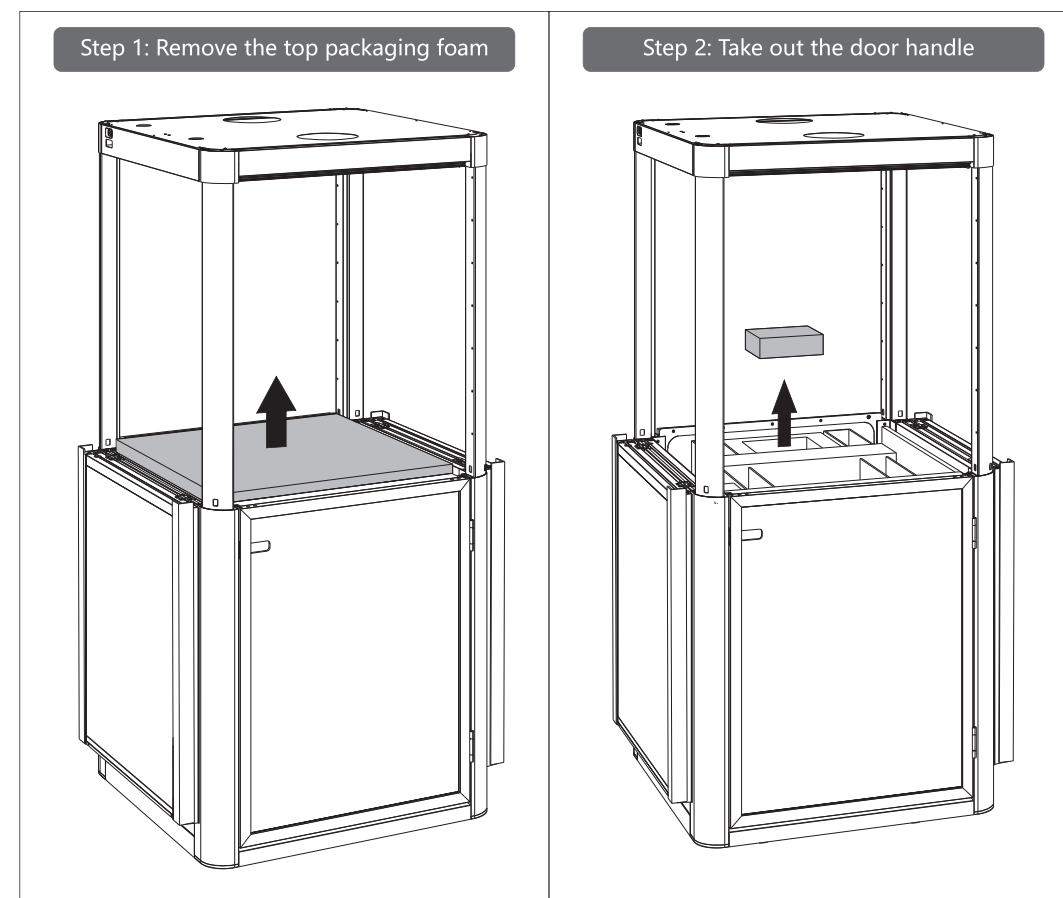
### STEP2 Connect the motor power supply



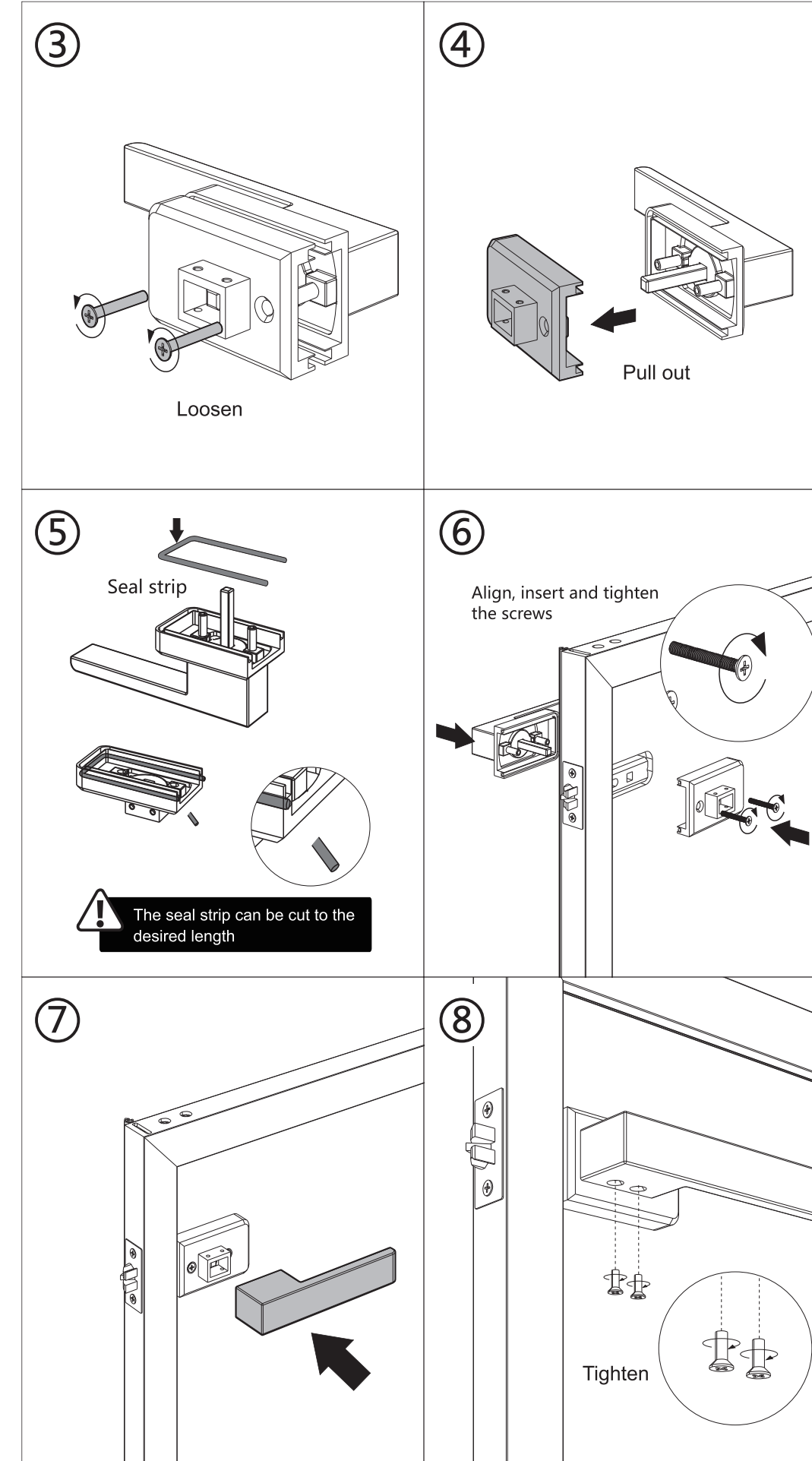
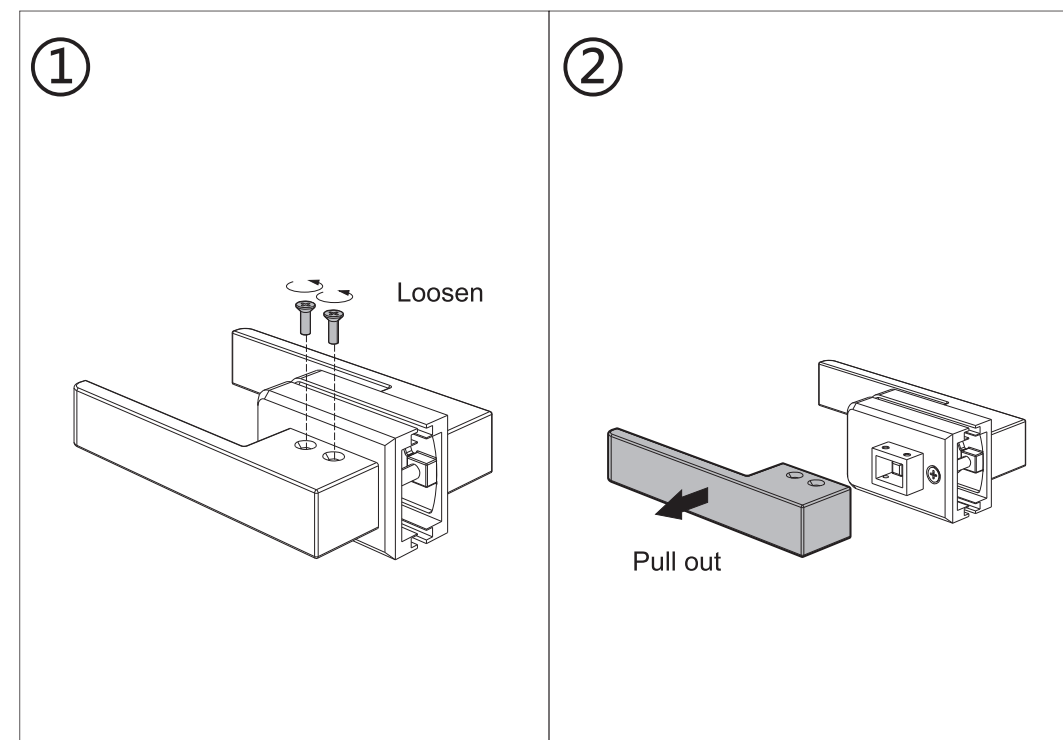
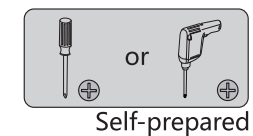
### STEP3 Raise the main body of the frame



### STEP4 Take out handle

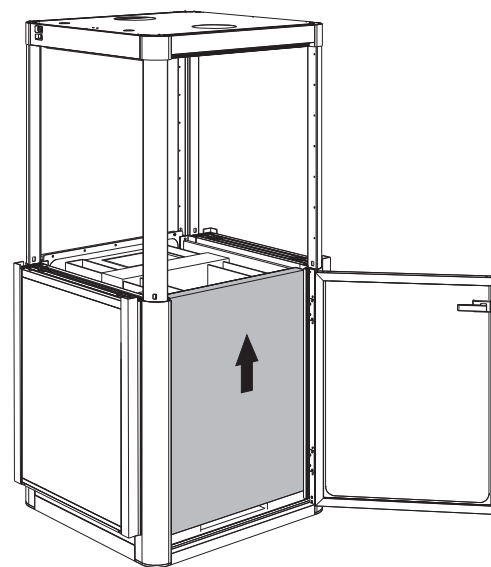


### STEP5 Install the door handle

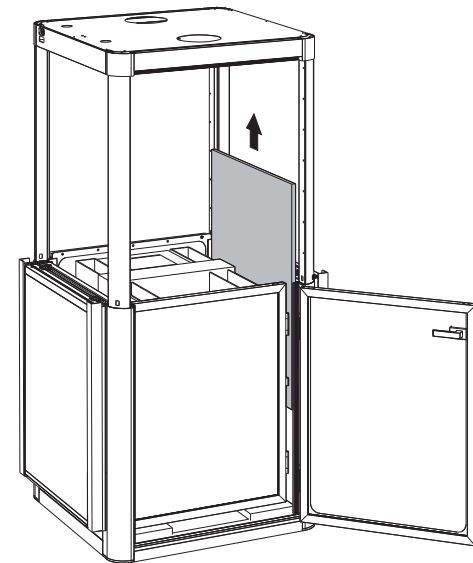


**STEP 6** Take out all objects inside the frame

Step 1: Remove the rear door filler

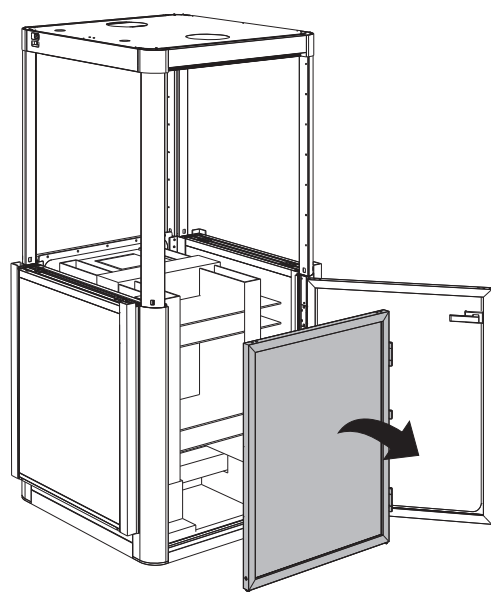


Step 2: Take off the right-side filler

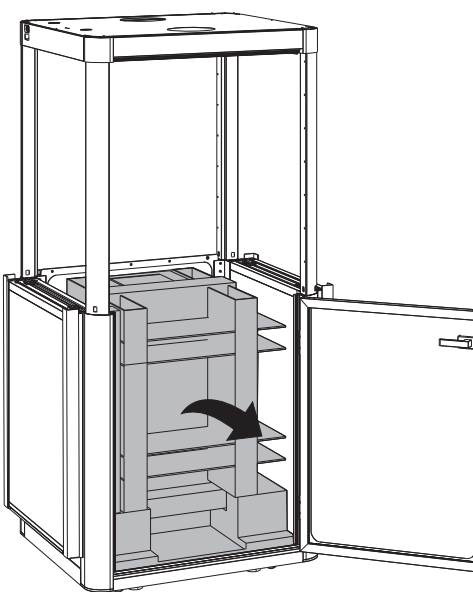


Step 3: Remove the top glass door

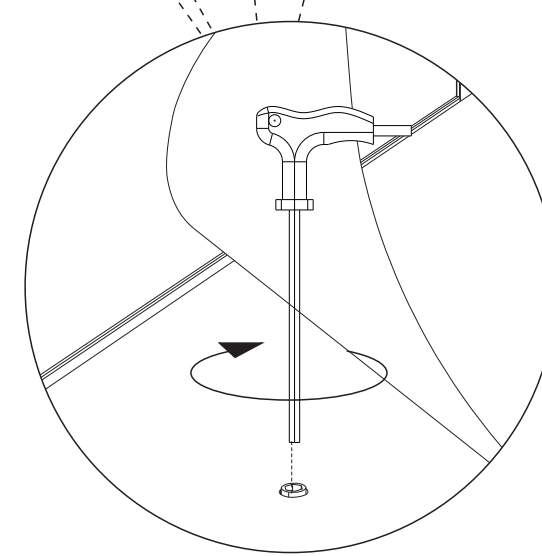
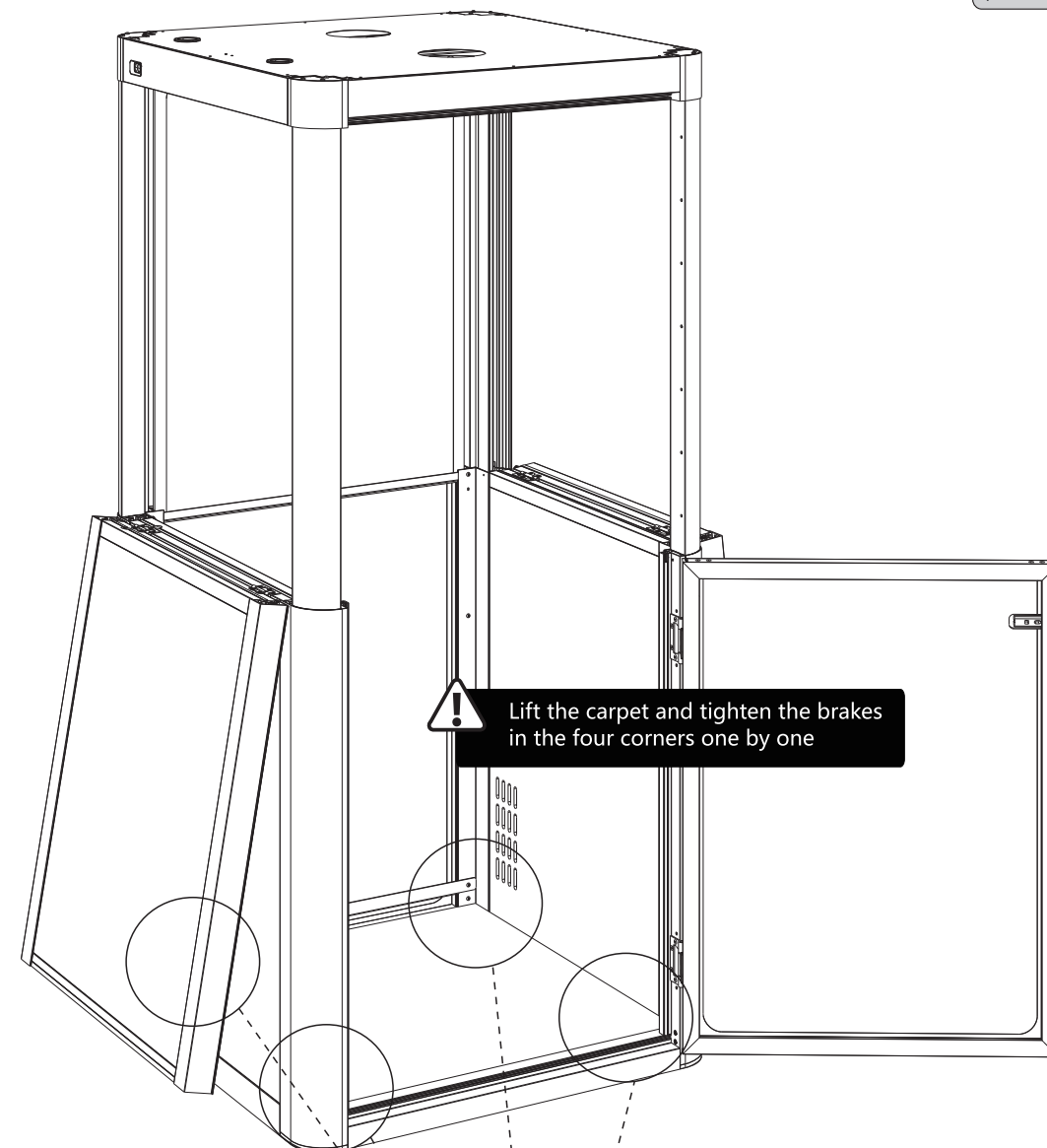
⚠ When taking out the top glass door, be careful to tilt it out.



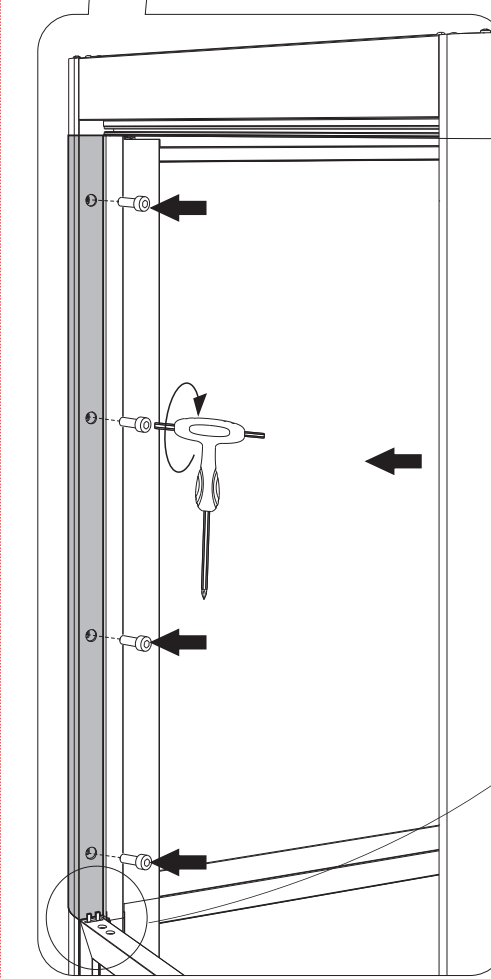
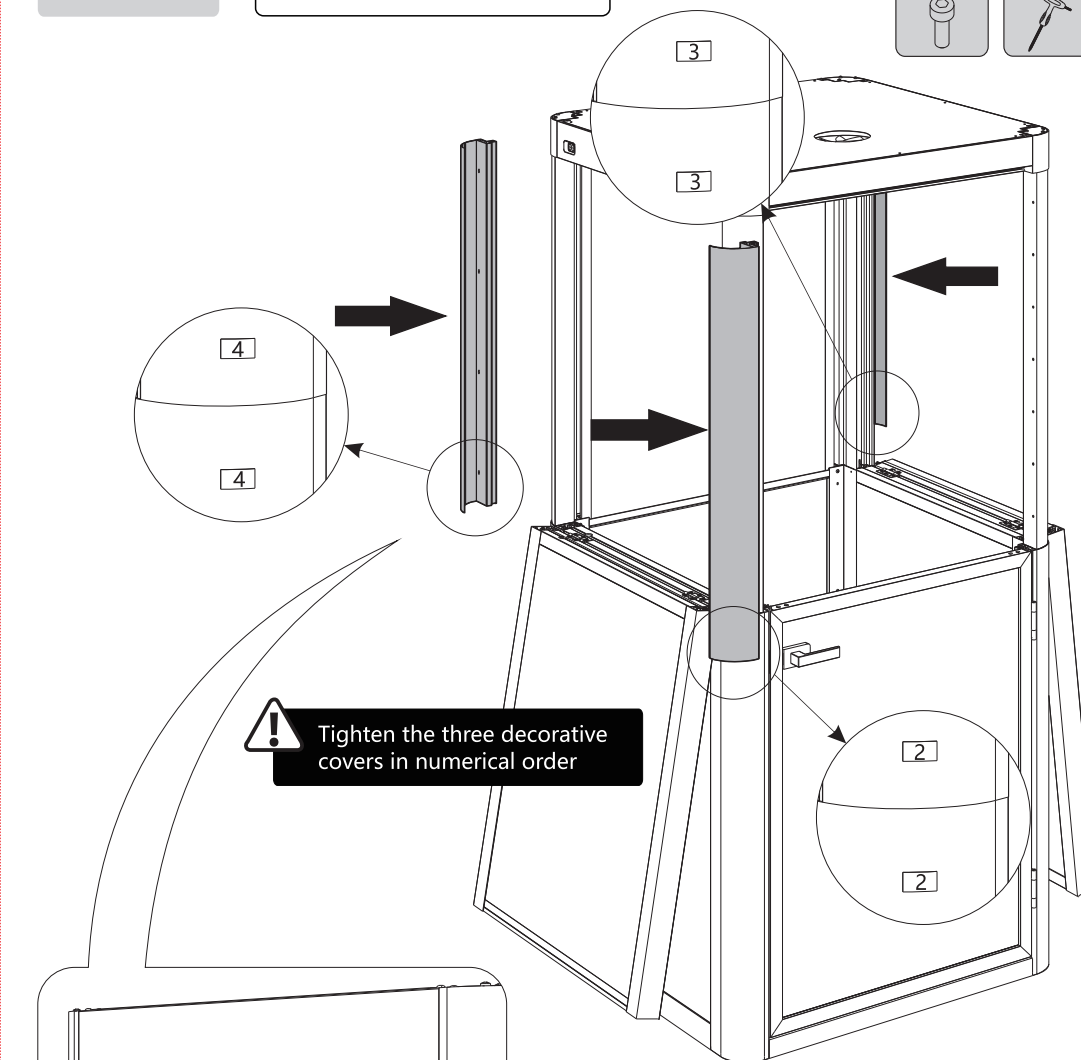
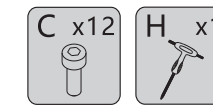
Step 4: Remove all objects



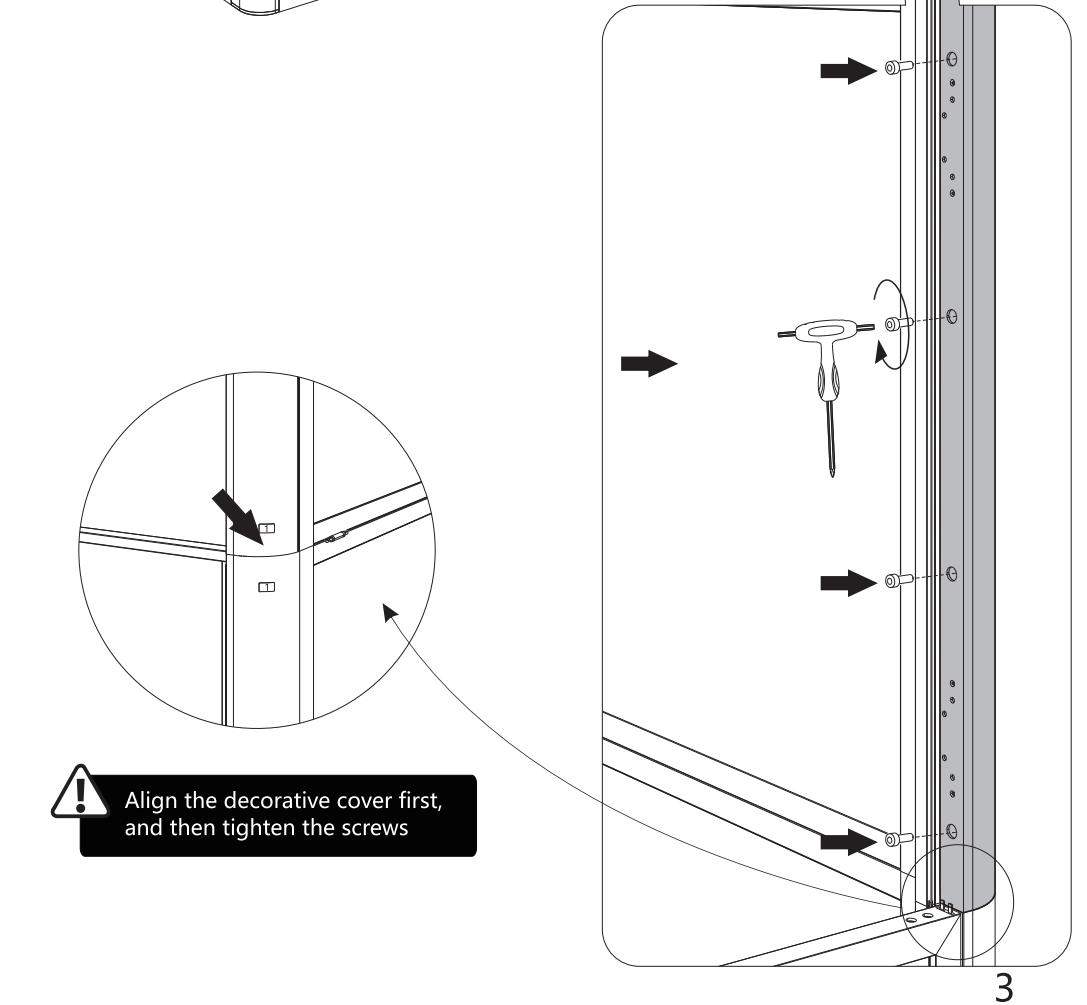
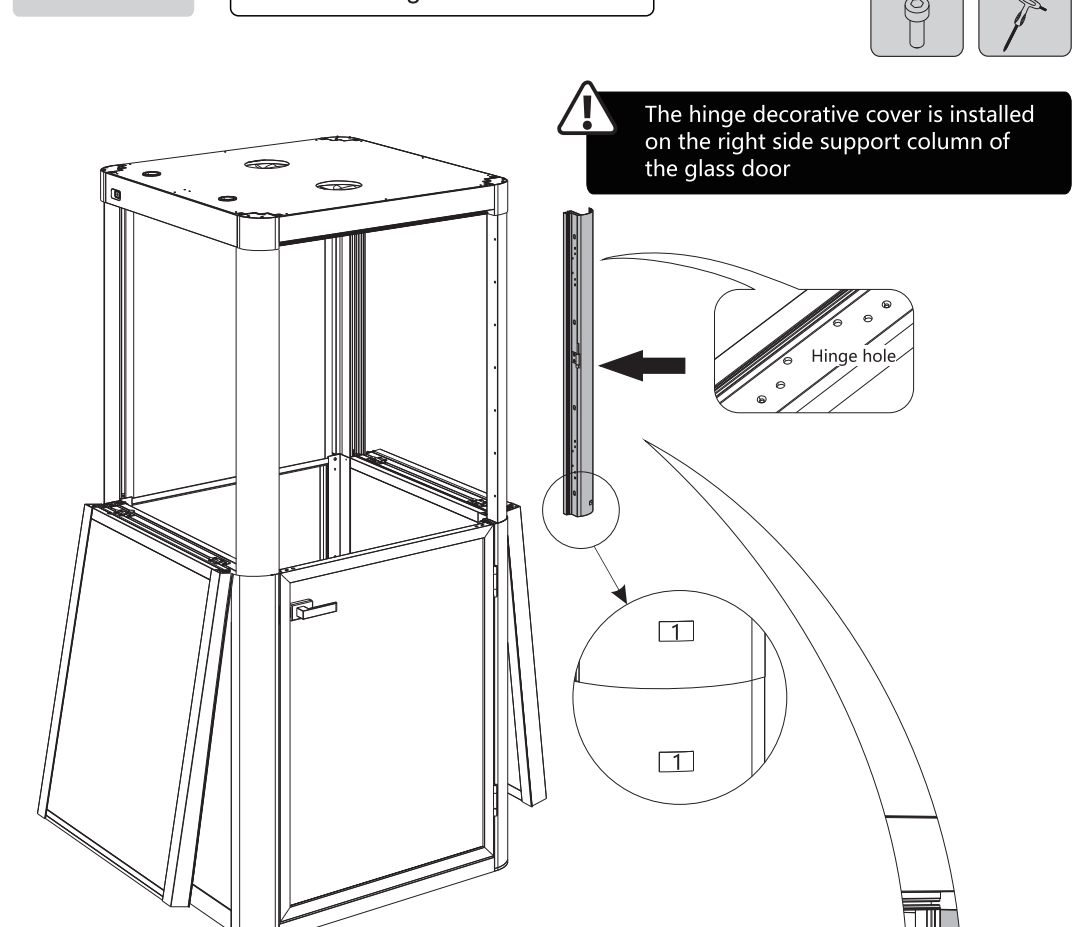
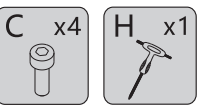
**STEP 7** Tighten the bottom brake



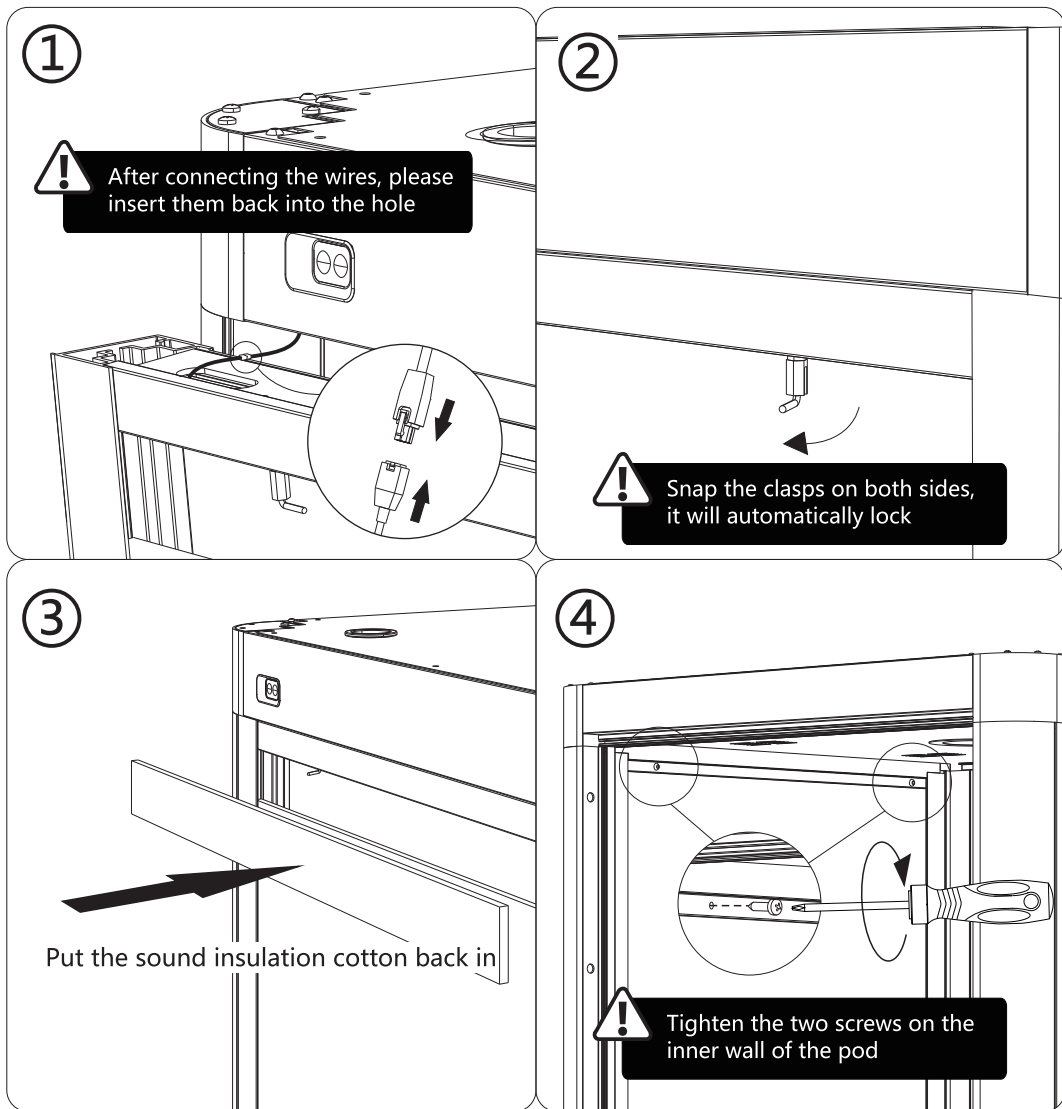
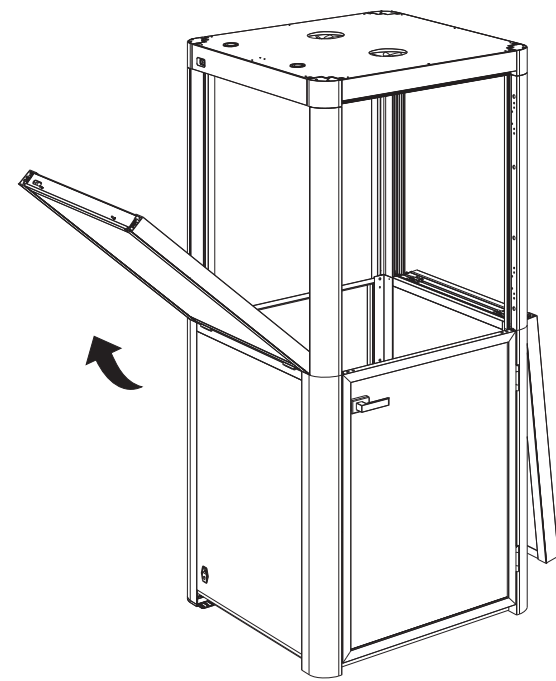
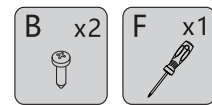
**STEP 8** Install the decorative cover



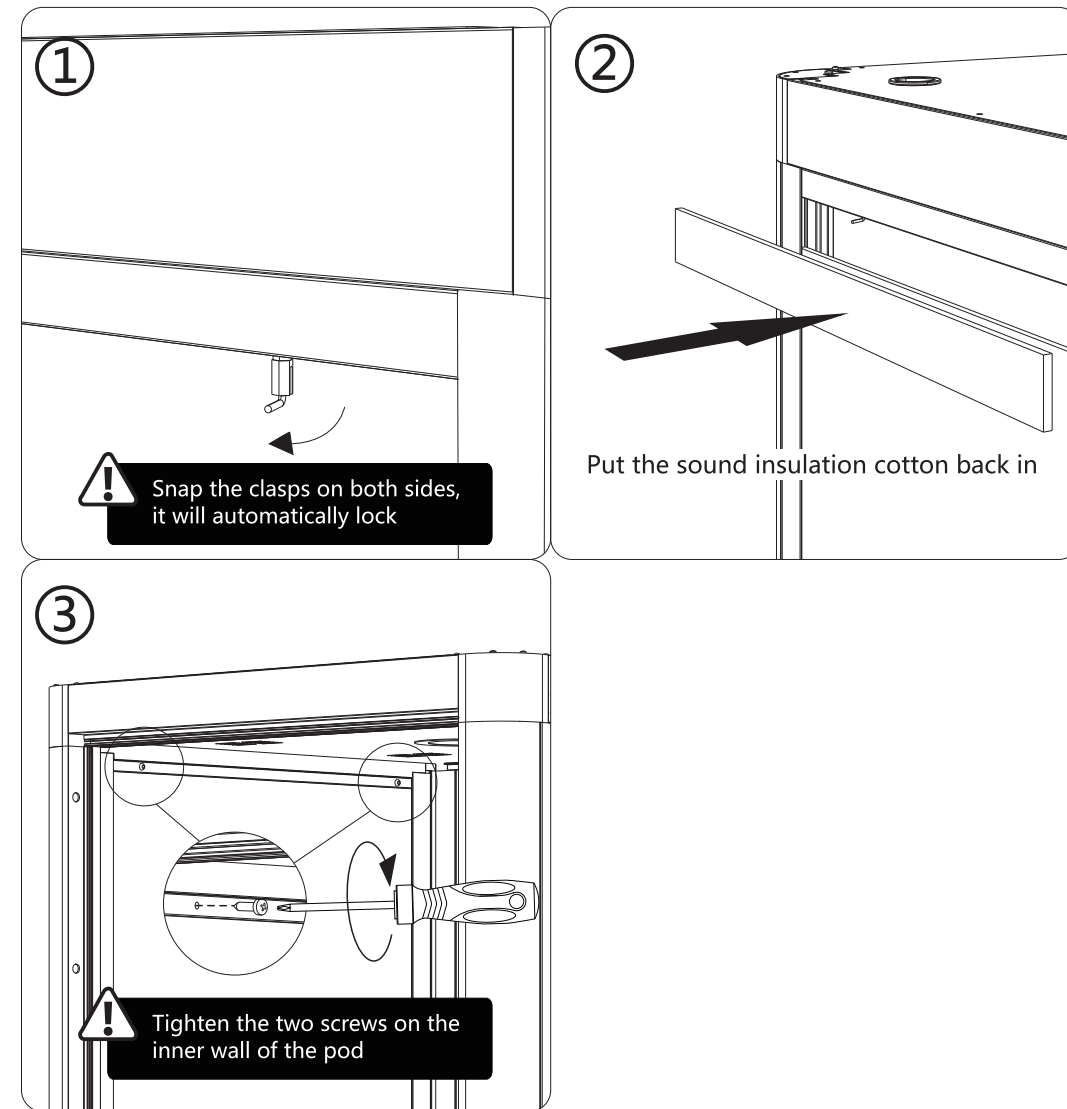
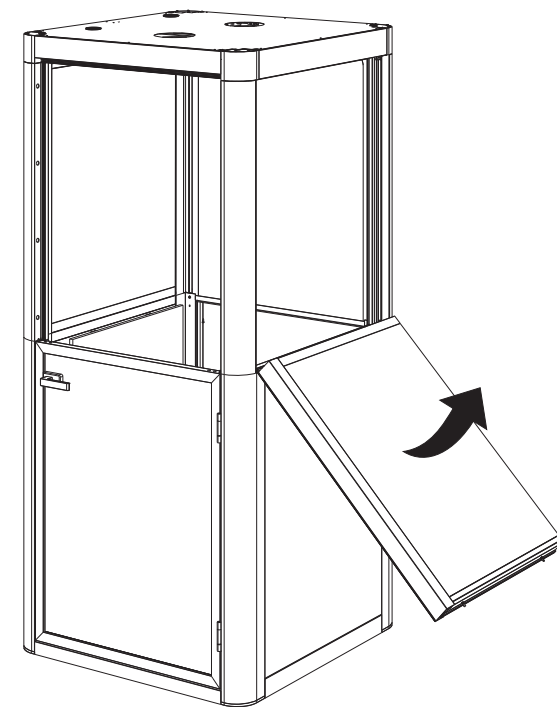
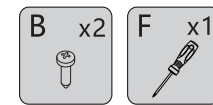
**STEP 9** Install the hinge decorative cover



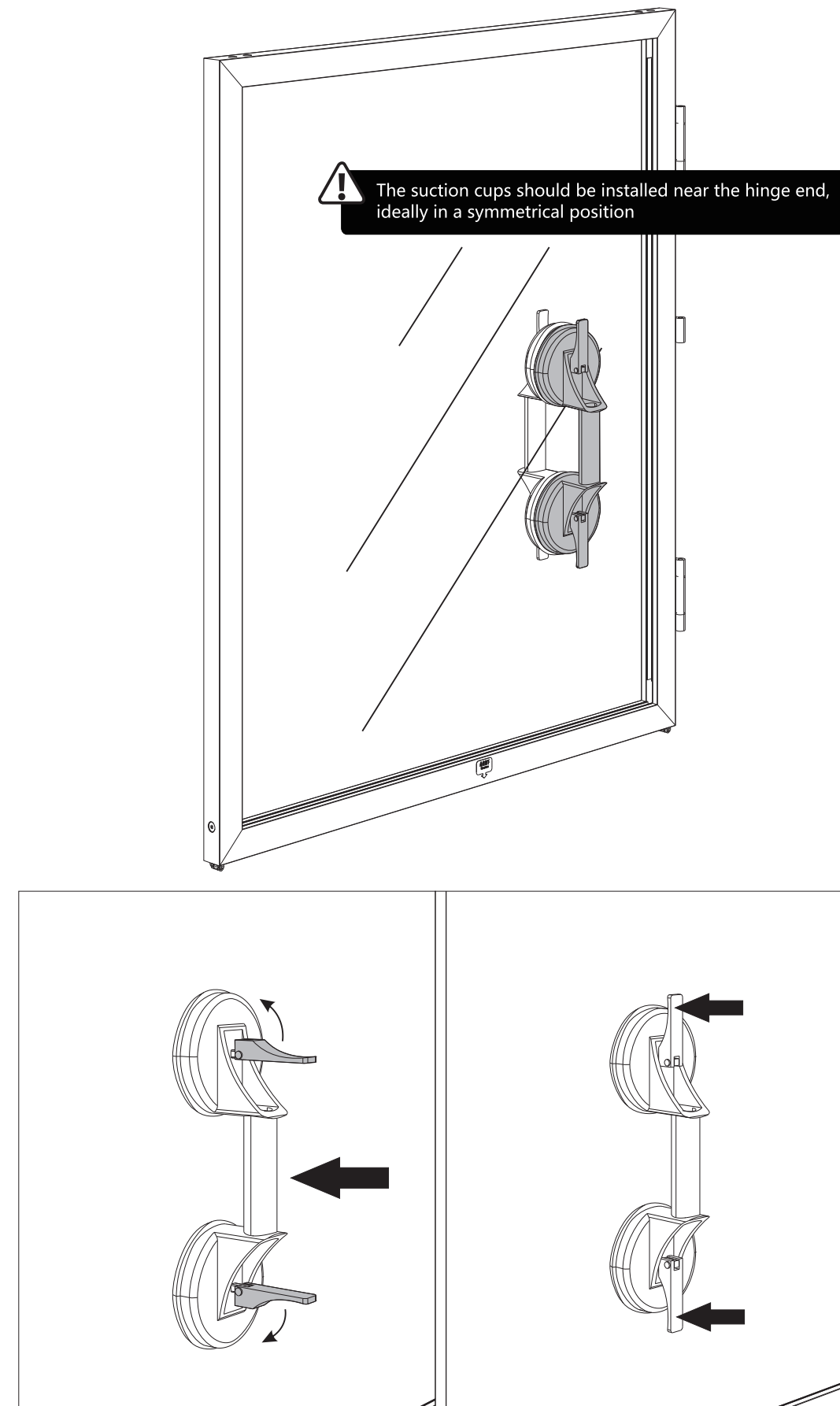
**STEP10** Install the upper left flap



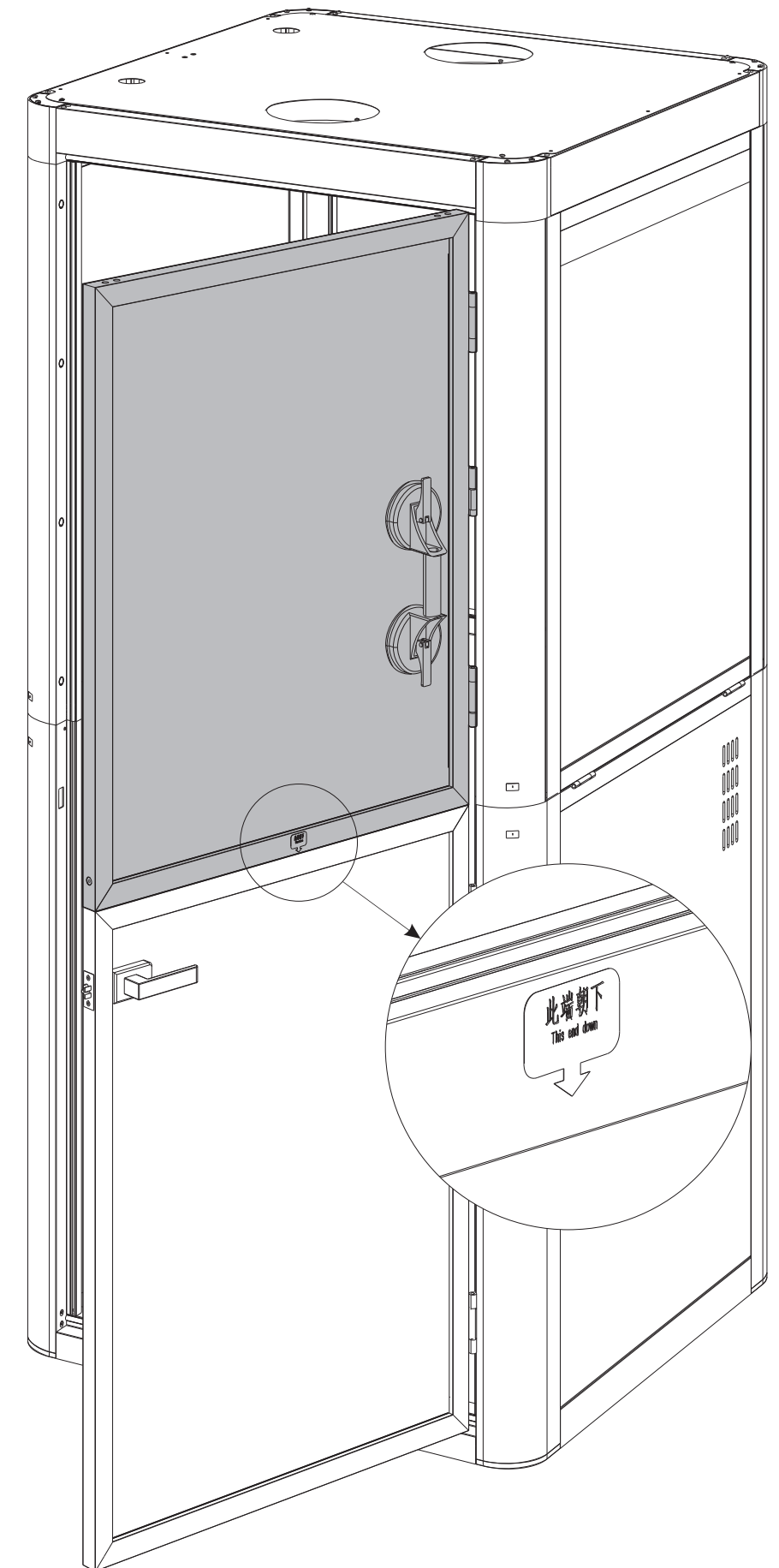
**STEP11** Install the upper right flap

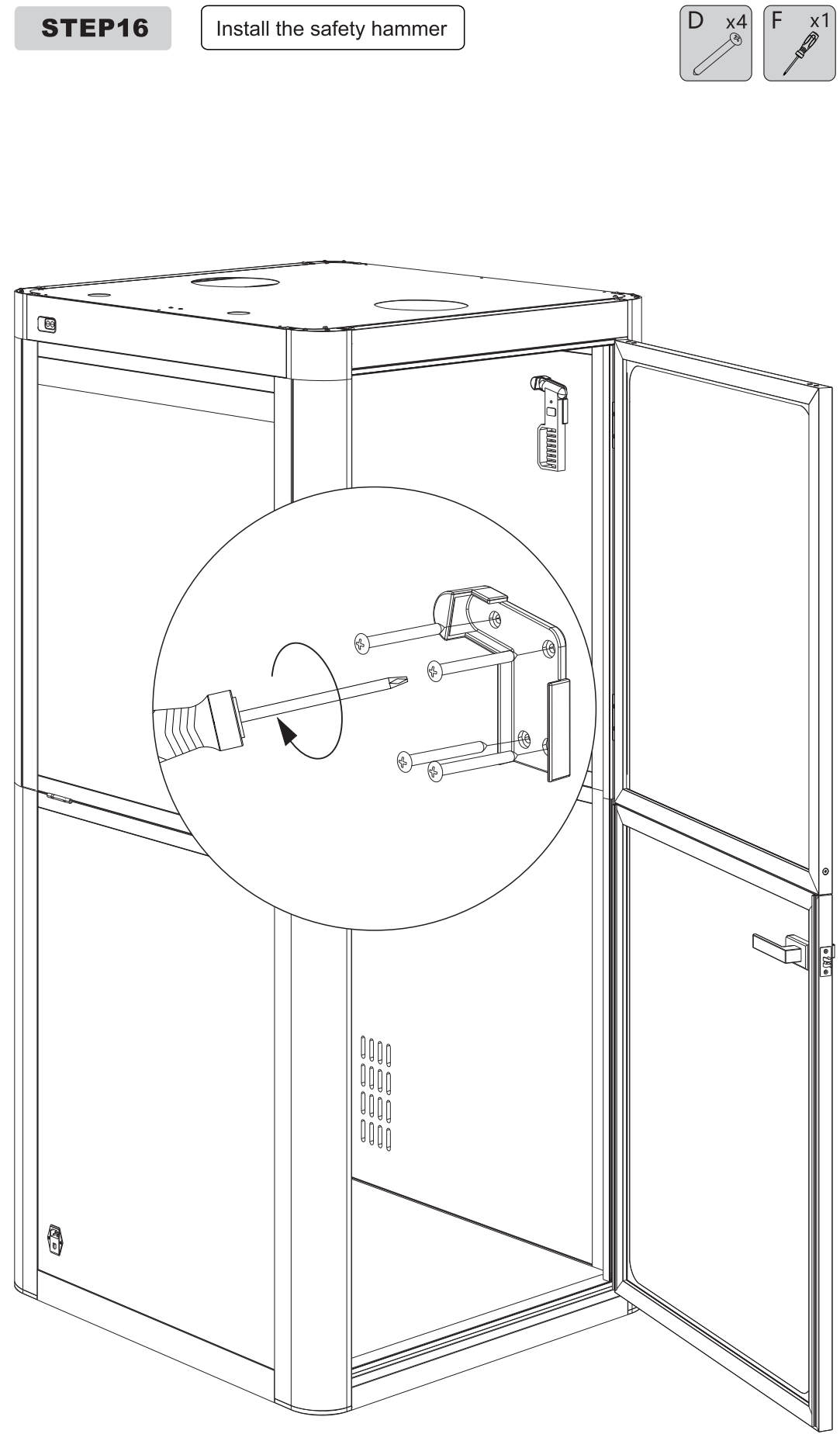
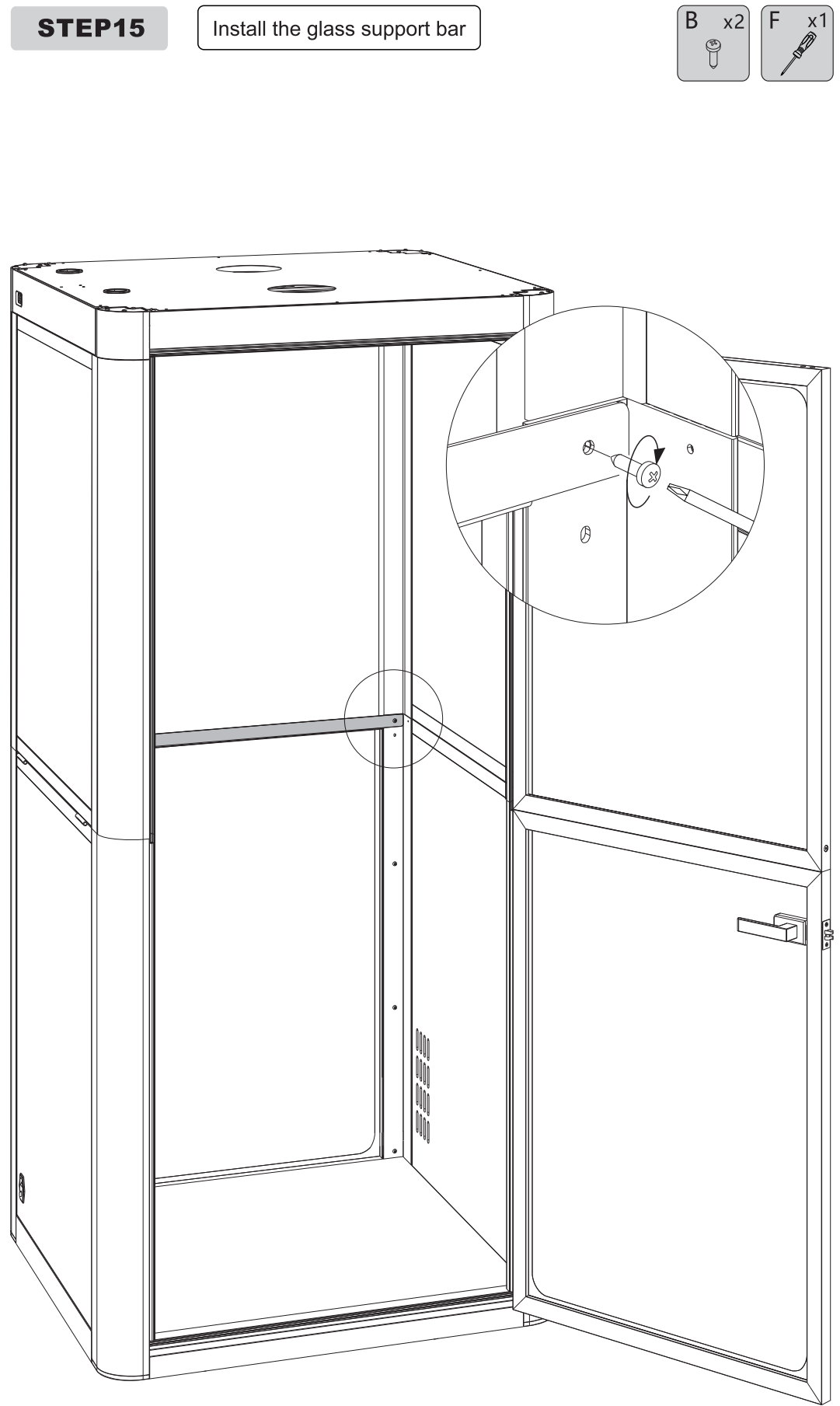
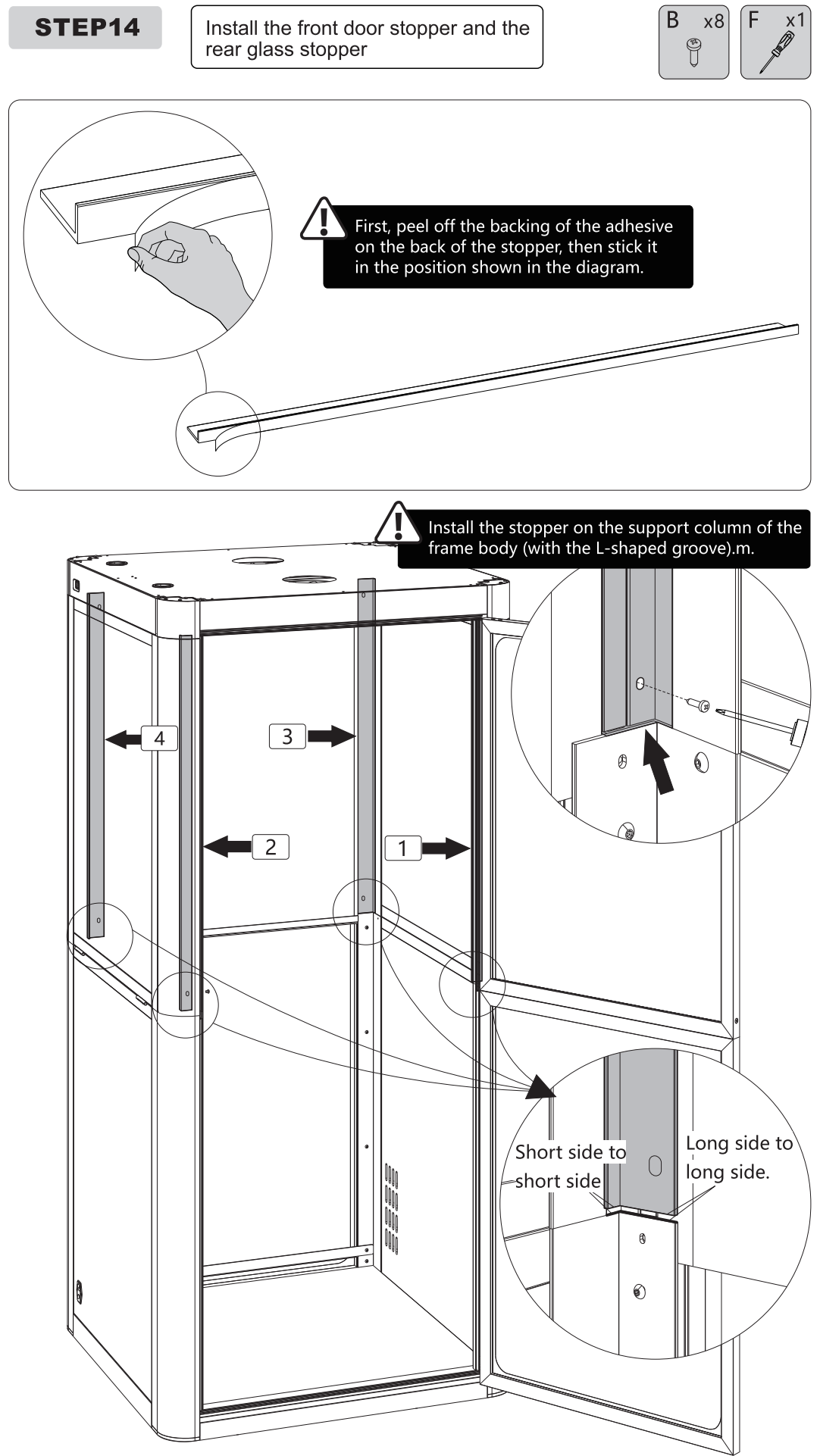
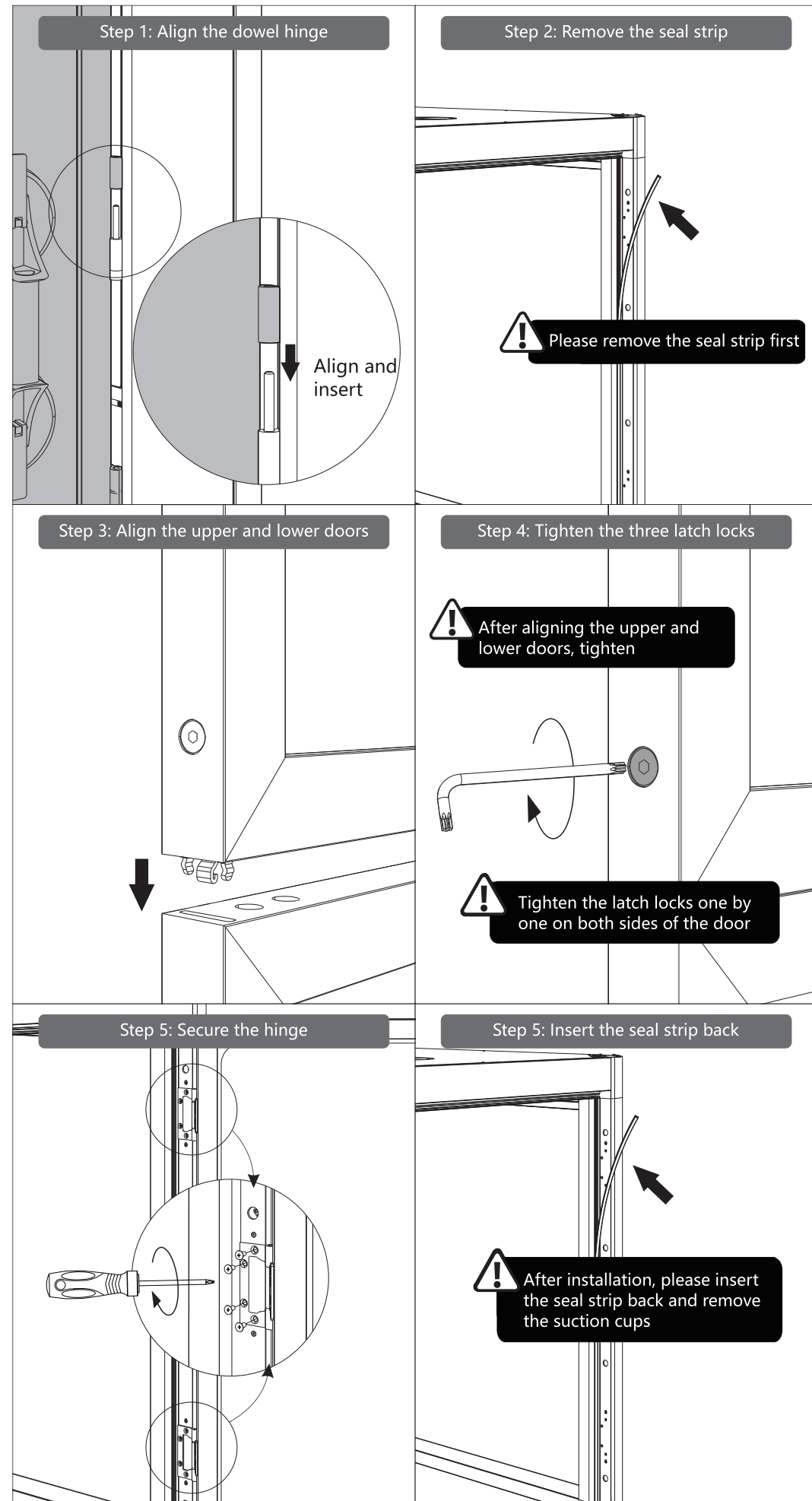


**STEP12** Install the suction cups



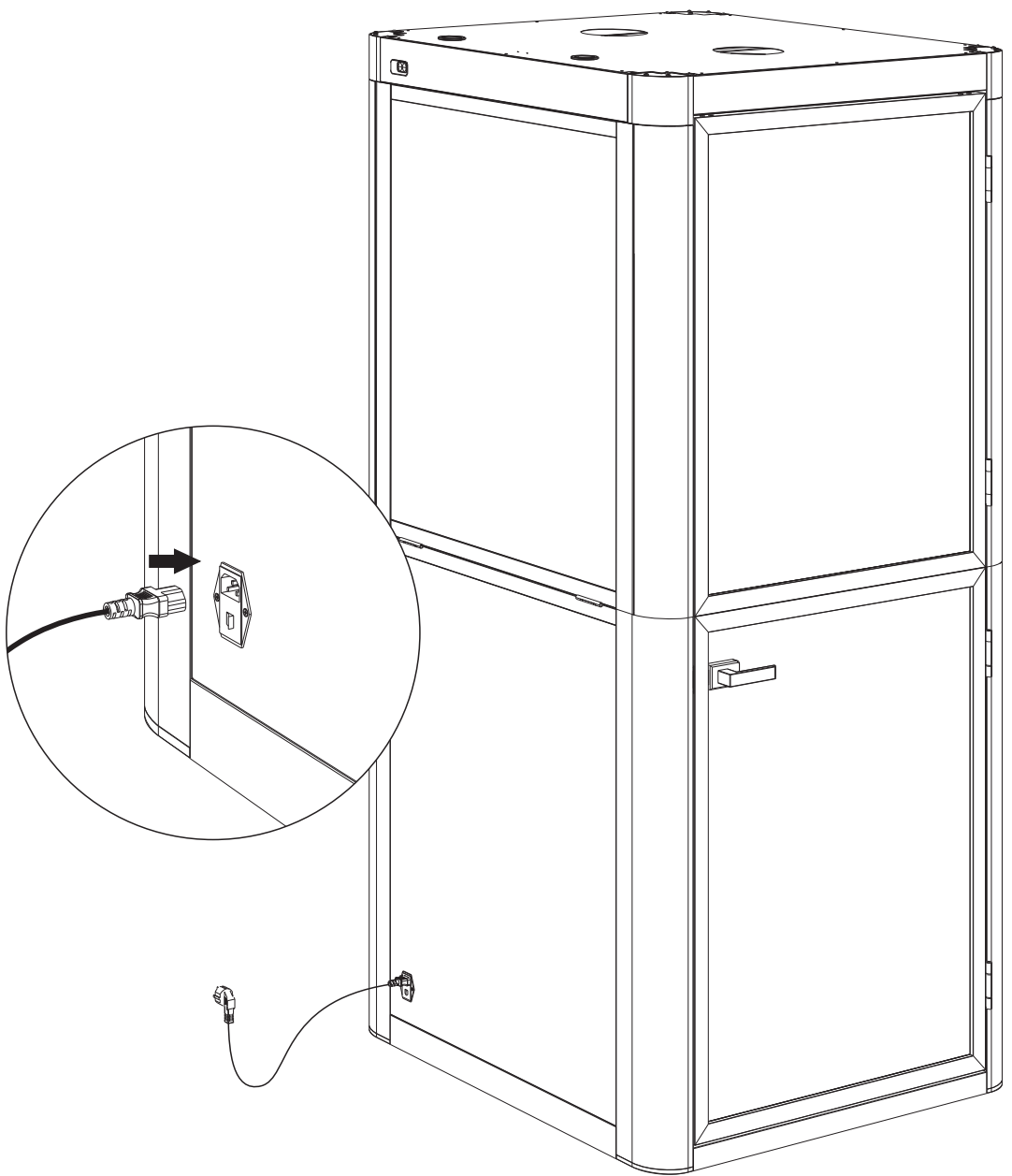
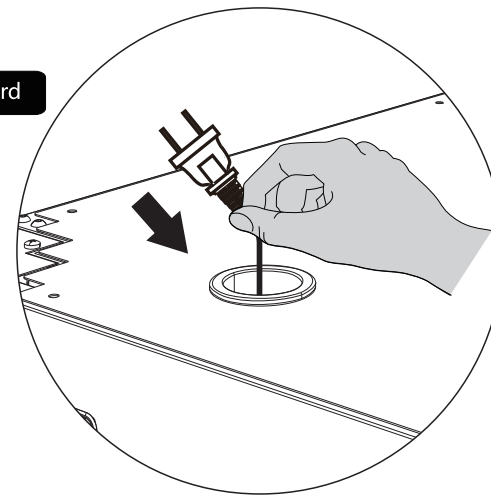
**STEP13** Install the upper glass door



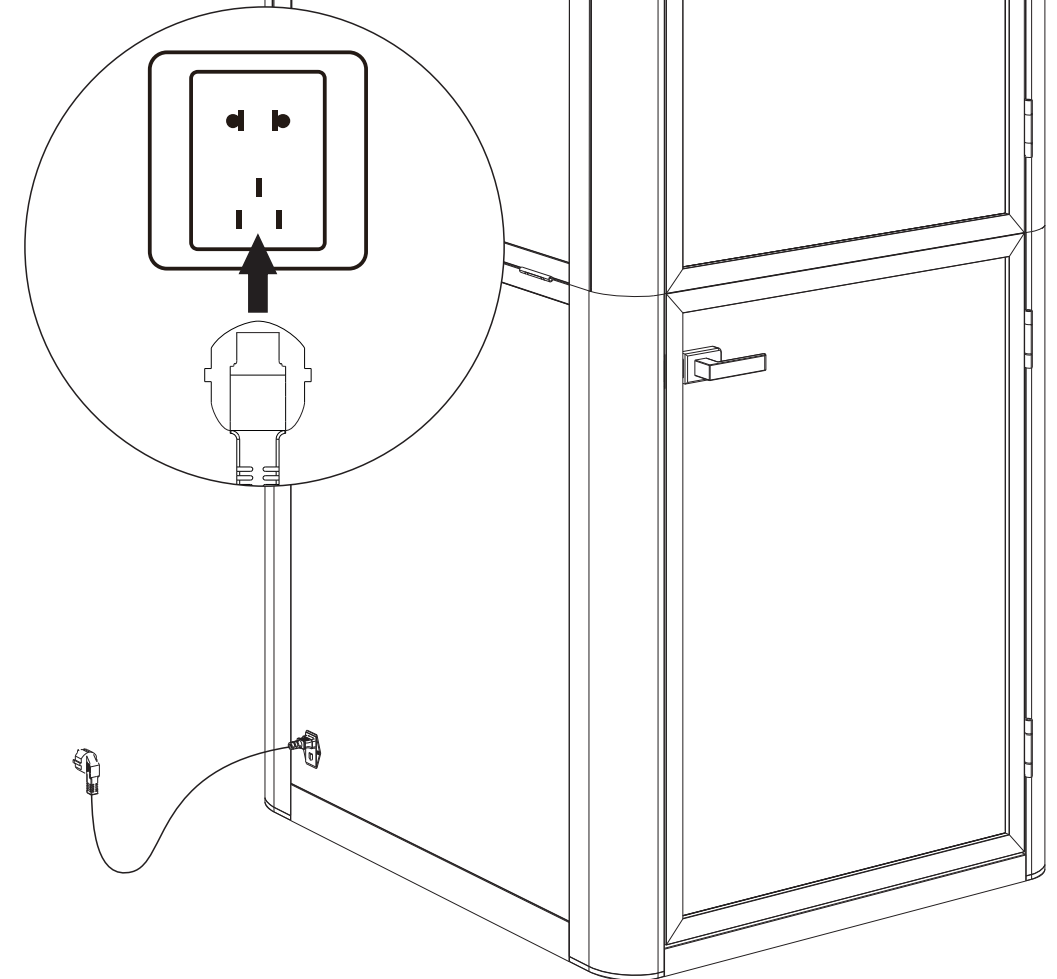


**STEP17** Retract the motor power cord and Power on the product

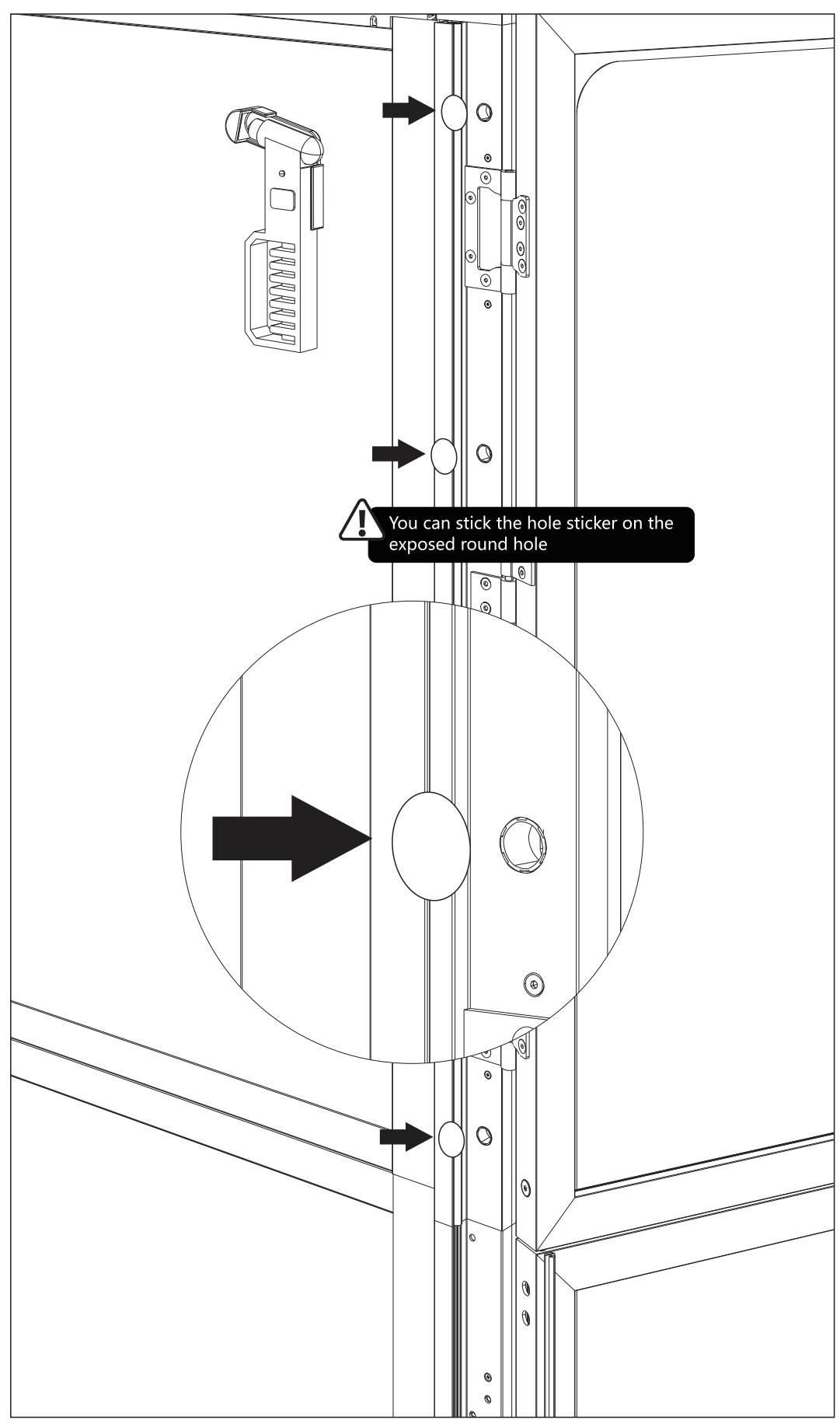
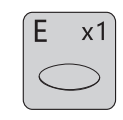
**!** Please retract the motor power cord



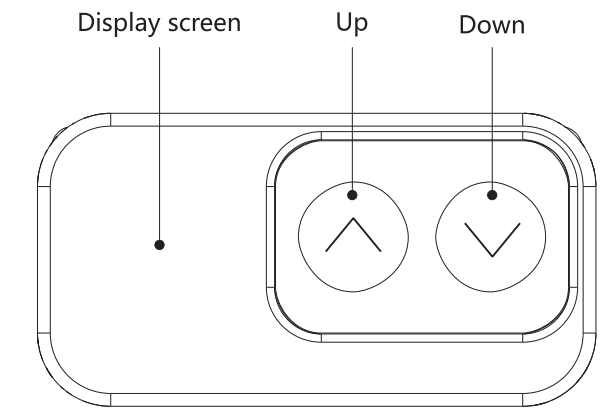
**STEP18** Power on the product



Use of hole stickers



**Operation guide**



**Note** Please make sure there are no obstructions blocking the movement of the meeting pod during the lifting process and ensure that the power cable length is sufficient for the meeting pod to move up and down.

**● Lifting Function:**

- Press the "∧" button to raise the pod the maximum height, and the current height will be displayed on the screen.
- Press the "∨" button to adjust the height of the pod. You can manually press and hold to lower it to the lowest position.
- During operation, you can press any key to stop the lifting process.

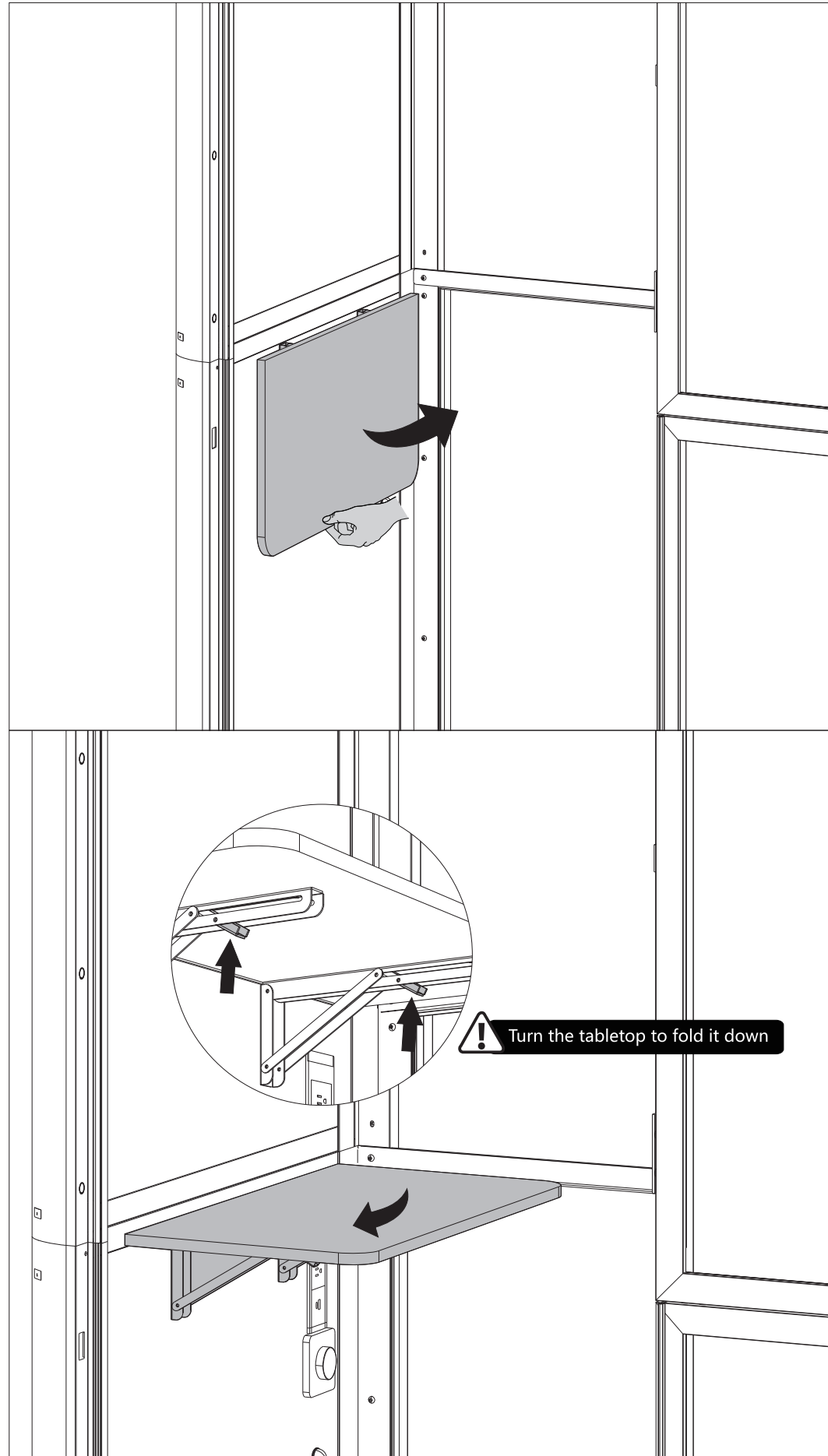
**● Reset Function:**

- When at the lowest position, press and hold the "∨" button for 5 seconds or more to enter the reset state until the lifting system reaches the bottom and rebounds to a stop.
- When at the lowest position, press and hold the "∨" button for 5 seconds or more to enter the reset state until the lifting system reaches the bottom and rebounds to a stop.

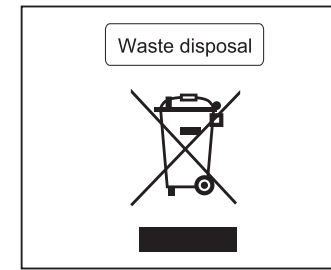
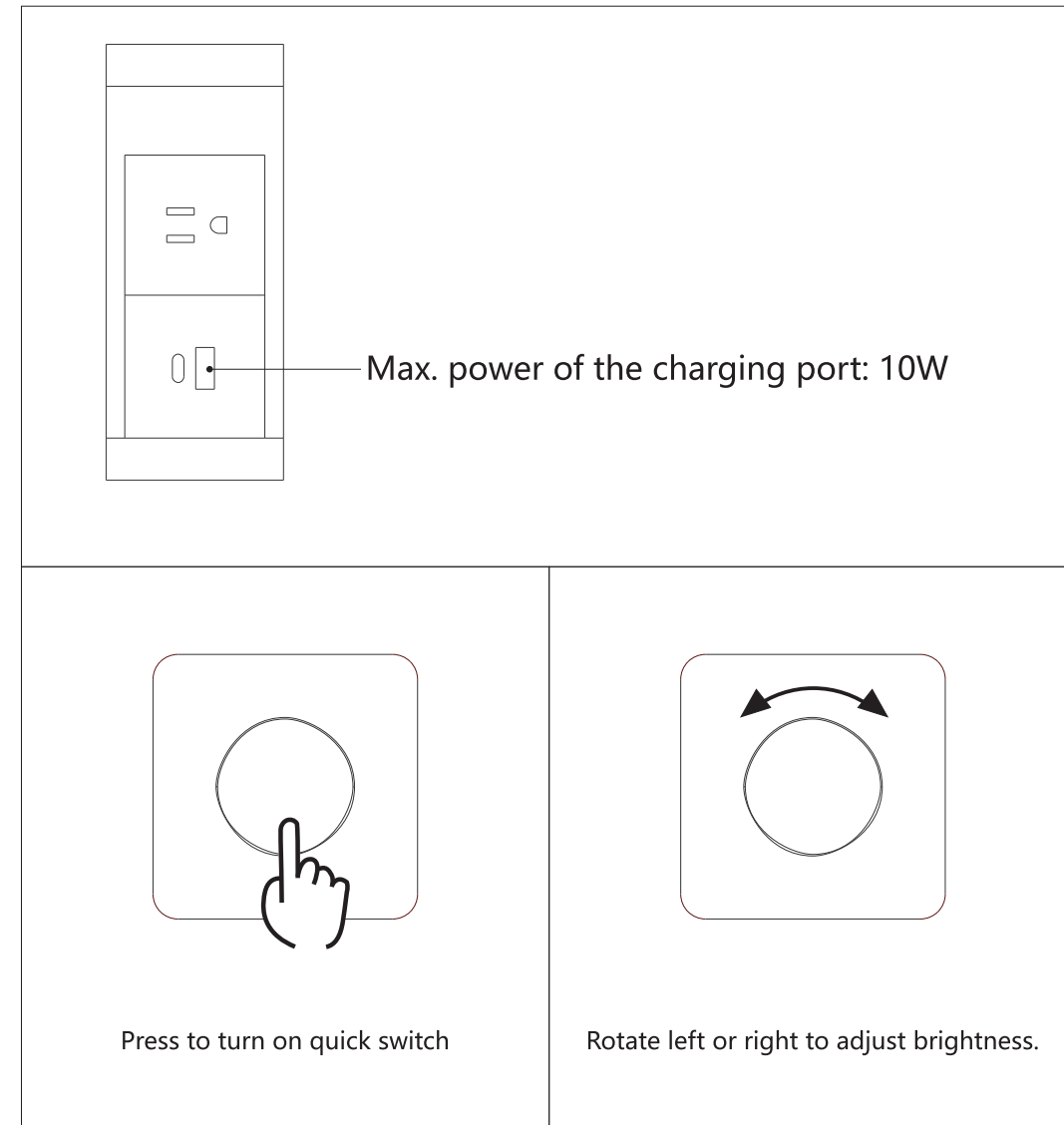
**● Code Handling:**

- If the display shows "E01" or "E02", allow the room to rest for at least 18 minutes before normal use.
- If other codes appear and there is no response when pressing the "∨" button, please check the connection wire for any damage and ensure it is properly connected. Disconnect the power for at least 10 seconds, then reconnect the power. The display will show "rSt", and then press and hold the "∨" button to reset.
- If the desk still cannot function properly after performing the above operations, please contact customer service.

Use of Small Tabletop



Use of the Switch



This marking indicates that this product should not be disposed with other household wastes. To prevent possible harm to the environment or human health from uncontrolled waste disposal, recycle it responsibly to promote the sustainable reuse of material resources. To return your used device, please use the return and collection systems or contact the retailer where the product was purchased. They can take this product for environmental safe recycling.

Euroseats B.V.  
Deventerweg 7  
3771 NP  
Barneveld  
Netherlands